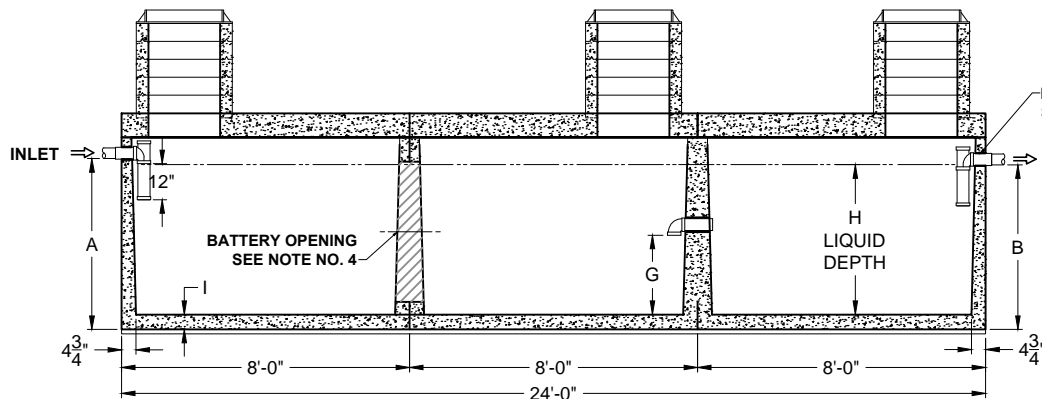
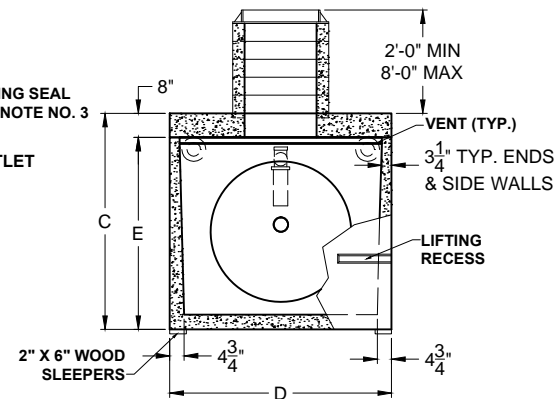


PLAN VIEW



SECTION THRU "A-A"



SECTION THRU "B-B"

PRODUCT NAME:
SEPTIC TANK

DESCRIPTION:
WITH THREE MANHOLE & RISERS
3750 THRU 4500 GALLONS

DESIGN SPECIFICATIONS

DESIGN LOAD: H-20 LOADING

WITH DRY SOIL CONDITIONS (WATER LEVEL BELOW TANK). SUITABLE SUB-BASE BEDDED WITH GRANULAR MATERIAL SHALL BE PREPARED TO HANDLE ANTICIPATED LOADS. FOR COMPLETE DESIGN AND PRODUCT INFORMATION, PLEASE CONTACT PRO-CAST PRODUCTS.

PRO-CAST PRODUCTS RESERVES THE RIGHT TO MAKE CHANGES TO PRODUCT DESIGN AND/OR DIMENSIONS WITHOUT NOTICE. PLEASE CONTACT PRO-CAST PRODUCTS WHENEVER NECESSARY FOR CONFIRMATION OR ADVICE ON PRODUCT DESIGN.

- NOTES:
1. REFER TO SPECIFICATION SHEET NO. S-201
 2. REFER TO SPECIFICATION SHEET NOS. S-251 & S-252
 3. REFER TO SPECIFICATION SHEET NO. S-249
 4. REFER TO SPECIFICATION SHEET NO. S-101.

SCALE: 3/16"=1'-0"
DRAWN BY: TPC 9/14/2017
REVISED BY:
CHECKED BY:

DRAWING NO.
S-010

ALL DIMENSIONS ARE IN INCHES & WEIGHTS IN LBS - (RISER WT. NOT INCLUDED)

MODEL	A	B	C	D	E	F	G	H	I	WEIGHT
S-HD-3-3750	57	54	72	74	64	74	25 3/4	50 1/2	4 1/2	47,175
S-HD-3-4500	60 1/2	57 1/2	75 1/2	85	67 1/2	85	26 3/4	53 1/2	5	55,035

EXCAVATION SPECIFICATIONS

MODEL	S-3750	S-4500		
LENGTH	27'-0"	27'-0"		
WIDTH	9'-2"	10'-1"		
BELOW INLET	4'-9"	5'-0 1/2"		
TANK HEIGHT	6'-0"	6'-3 1/2"		